

Dear customer,

Congratulations on your purchase of a Wahan Snare Drum™. With the new patented Wahan Vario Lifter™ you can create a significant addition to the sound and sensitivity of your snare drum. The assembly on the outside of the shell prevents unnecessary muffling of the drum shell and improves its resonating properties.

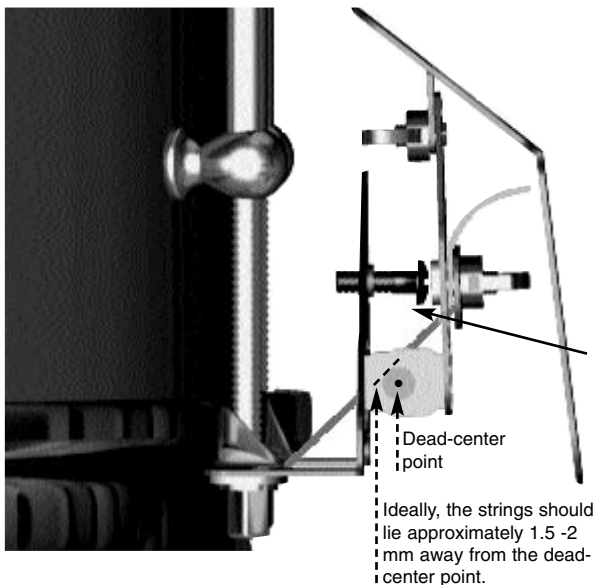
Change of the resonance head

In order to change the resonance head, simply loosen all the tension rods. The Vario Lifter™ can now be removed as a unit along with the hoop and the tension rods so that the resonance head can be replaced.



Tip: Before you tune the resonance head, loosen the **fine-adjustment nut** by only 2-3 turns. Thereafter you can re-adjust the snare tension wire.

fine-adjustment nut



Individual adjustment of the dead-center point

With this screw, you can adjust the dead-center point of the Vario Lifter™. Ideally, the strings should lie approximately 1.5 -2 mm away from the dead-center point (closer to the drum-shell).



Distance: distance of between 5-7mm to the edge of the drum rim.

Changing the Snares

Position the snare wire as seen in the illustration and attach the fasteners on the lifter side first. The end of the snare wire plate on the lifter side should have a distance of between 5-7mm to the edge of the drum rim. Stretch the strings (bands) and tighten the nuts. Make sure that the nut on the fine-adjustment screw is loosened to within its last 2-3 turns (almost off). Fasten the snare wire plate, stretch it (be careful that the snare wire plates are parallel to each other, not crooked) and tighten the nuts.